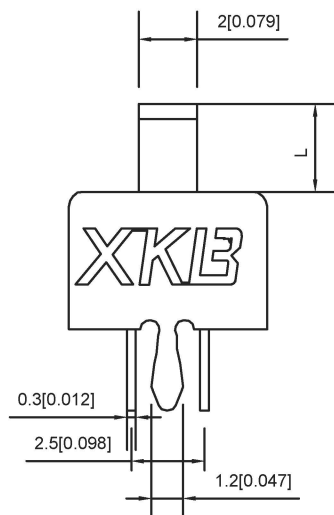
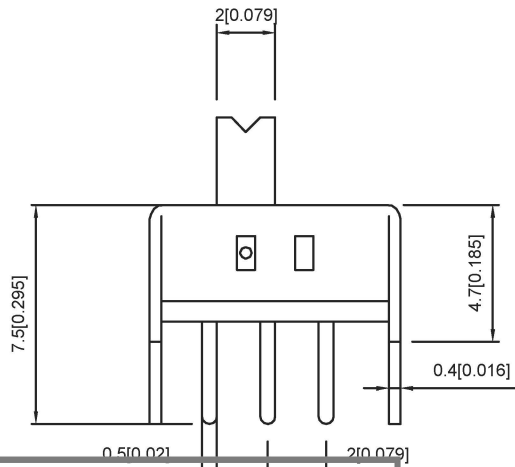


SCHMATIC

SS22D03- X

L(MM)  
2 ~ 10



RATING	0.3A 50V DC
CIRCUIT	1P2T
CONTACT RESISTANCE	100MΩ MAX
TRAVEL	2MM
OPERATING FORCE	250±100gf
OPERATING LIFE	10000

广东星坤科技股份有限公司

生效日期

文件工程章

REVISIONS	DESCRIPTION	DATE	REVISED	APPROVED

units:	mm
tolerance:	X.X ±0.2mm
	X.XX ±0.1mm
	X.XXX ±0.05mm

UNSPECIFIED TOLERANCES

DSND		DATE		SCALE: N/A	MODEL TYPE: SLIDE SWITCH
DWN		DATE		VIEW:	PART NO.: SS22D03
CHKD		DATE		UNIT: mm/in	DWG NO.: SS22D03X
APPD		DATE		SIZE: A4	
XKB INDUSTRIAL PRECISION CO., LIMITED					WEIGHT 1.0g
					SHEET 1/1
					REVISION A0